



(11) EP 1 538 272 A1

(12) EUROPEAN PATENT APPLICATION

(43) Date of publication: 08.06.2005 Bulletin 2005/23 (51) Int. Cl. 7: E04B 2/74, E04B 2/82

(21) Application number: 04106253.0

(22) Date of filing: 02.12.2004

(84) Designated Contracting States:
 AT BE BG CH CY CZ DE DK EE ES FI FR GB GR
 HU IE IS IT LI LT LU MC NL PL PT RO SE SI SK TR
 Designated Extension States:
 AL BA HR LV MK YU

(72) Inventor: Van Klaveren, Cornelis Jacobus
 7002 CH Doetinchem (NL)

(74) Representative:
 Van den Heuvel, Henricus Theodorus
 Patentwerk BV
 P.O. Box 1514
 5200 BN 's-Hertogenbosch (NL)

(30) Priority: 03.12.2003 NL 1024937

(71) Applicant: Unispace A.G.
 CH-6330 Cham (CH)

(54) Sound-insulating partition wall and assembly method for such a partition wall

(57) Partition walls for absorbing or reflecting sound waves are already available in various types and qualities. Such partition walls are generally permanently fixed to a structural member of a building, for example, or are otherwise permanently stationed, in order to absorb a substantial part of the incidental sound waves, and thus actually remove them. The invention relates to an improved sound-insulating partition wall. The invention also relates to an assembly method for such a wall.

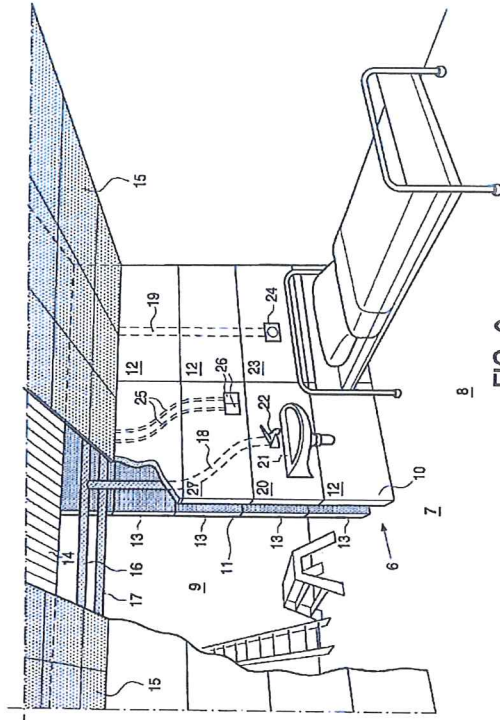


FIG. 2

Printed by Jouve, 75001 PARIS (FR)

URKUNDE

Es wird hiermit bescheinigt, dass für die in der Patentschrift beschriebene Erfindung ein europäisches Patent für die in der Patentschrift bezeichneten Vertragsstaaten erteilt worden ist.

CERTIFICATE

It is hereby certified that a European patent has been granted in respect of the invention described in the patent specification for the Contracting States designated in the specification.

CERTIFICAT

Il est certifié qu'un brevet européen a été délivré pour l'invention décrite dans le fascicule de brevet, pour les Etats contractants désignés dans le fascicule de brevet.

Europäisches Patent Nr.

European patent No.

1538272

Patentinhaber

Proprietor of the patent

Unispace A.G.
 Gewerbestrasse 5
 CH-6330 Cham/CH

Brevet européen n°

Titulaire du brevet

München, den 29.10.08

Alison Brimelow

Alison Brimelow
 Präsidentin des Europäischen Patentamts
 President of the European Patent Office
 Présidente de l'Office européen des brevets

EP 1 538 272 A1